

ZR BD



Performance Data

Maximum Flow	8 l/min
Maximum Vacuum	-867 mbar
Maximum Pressure	1000 mbar
Maximum vacuum Start up	-867 mbar
Maximum pressure Start up	1000 mbar

Motor Data

Motor Type	DC Brushed
Voltage	12 Vdc 24 Vdc
Maximum current	1.70 A 0.90 A
IP	50
Insulation Class	F
Electrical Connection	2 wire length 290 mm

Additional Data

Average Noise	58 dB
Weight	580 g

DIAPHRAGM PUMP FOR AIR/GAS APPLICATION

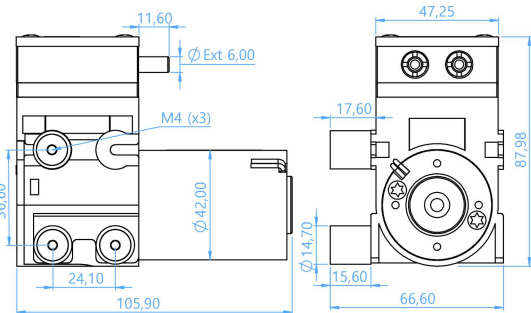
Attributes

- 100% Oil-free
- Excellent gas sealing / Contamination free
- Optimal flow to size ratio
- Low power consumption and noise level
- Quick and easy maintenance procedure
- Pump Re-Start at max levels

Applications

- Aspiration (surgical, welding)
- Small portable equipment
- Environmental sampling
- Laboratory analysis
- Laser cutters
- Pick and place, transport
- Vacuum-therapy

Dimensions in mm



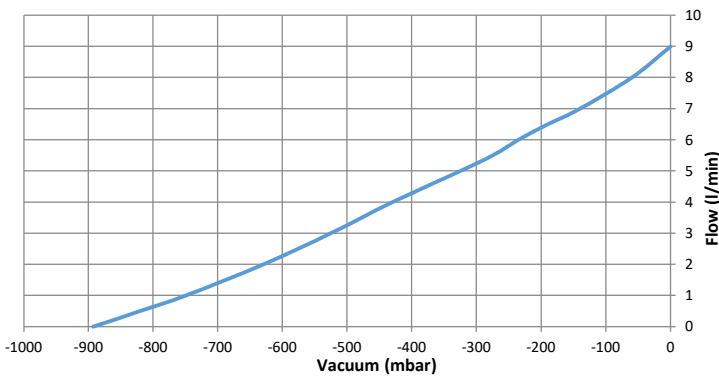
Available Material Options

Head	PPS
Diaphragm	FKM (alternatives on request)
Valve	FKM (alternatives on request)
O-Ring	EPDM (alternatives on request)

Service kits

RUBBER KIT ZR Z5	900.30
------------------	--------

Vacuum / Flow characteristic



Pressure / Flow characteristic

