

# Z5



## DIAPHRAGM PUMP FOR AIR/GAS APPLICATION

Attributes	Applications
100% Oil-free	Aspiration (surgical, welding)
Excellent gas sealing / Contamination free	Environmental sampling
Optimal flow to size ratio	Laboratory analysis
Low power consumption and noise level	Laser cutters
Quick and easy maintenance procedure	Pick and place, transport
Exceptional motor lifetime	Vacuum-therapy

### Performance Data

Maximum Flow	7 l/min
Maximum Vacuum	-867 mbar
Maximum Pressure	1000 mbar
Maximum vacuum Start up	-150 mbar
Maximum pressure Start up	200 mbar

### Motor Data

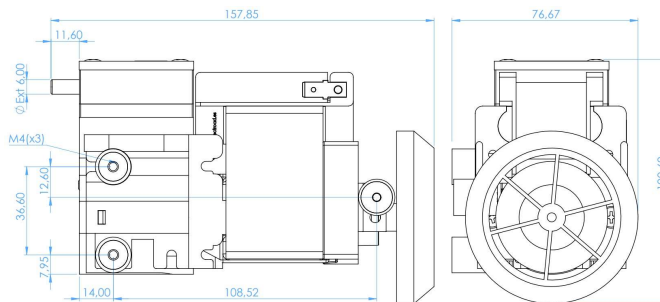
Motor Type	AC shaded pole
Voltage	230 Vac 50/60 Hz <sup>[1]</sup>
Maximum current	0.45 A
IP	00
Insulation Class	B (120°C Th. Protection)
Electrical Connection	Male 6.3 x 0.8mm tab (L+N)

<sup>[1]</sup> Other voltages available under request.

### Additional Data

Average Noise	55 dB
Weight	1360 g

### Dimensions in mm



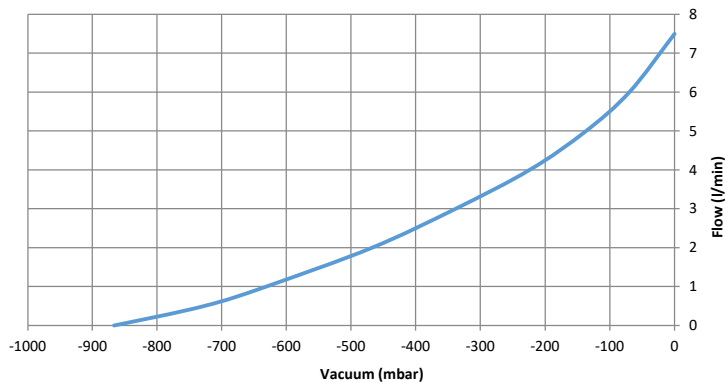
### Available Material Options

Head	PPS
Diaphragm	FKM (alternatives on request)
Valve	FKM (alternatives on request)
O-Ring	EPDM (alternatives on request)

### Service kits

RUBBER KIT ZR Z5	900.30
------------------	--------

### Vacuum / Flow characteristic



### Pressure / Flow characteristic

