

S5



DIAPHRAGM PUMP FOR AIR/GAS APPLICATION

Attributes

- 100% Oil-free
- Excellent gas sealing / Contamination free
- Low power consumption and noise level
- Quick and easy maintenance procedure
- Exceptional motor lifetime

Applications

- Aspiration (surgical, welding)
- Environmental sampling
- Laboratory analysis
- Laser cutters
- Pick and place, transport
- Vacuum-therapy

Performance Data

Maximum Flow	6,5 l/min
Maximum Vacuum	-813 mbar
Maximum Pressure	1400 mbar ^[1]
Maximum vacuum Start up	-133 mbar
Maximum pressure Start up	ATM

Motor Data

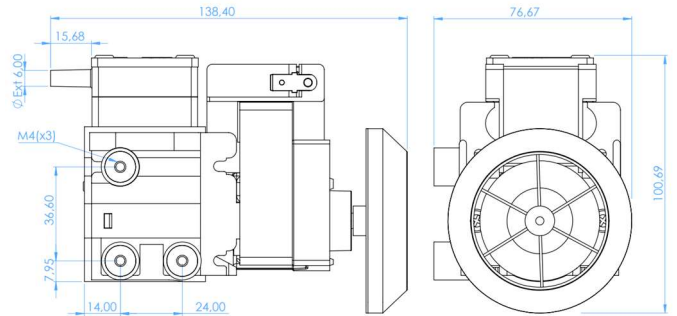
Motor Type	AC shaded pole
Voltage	230 Vac 50/60 Hz ^[1]
Maximum current	0.40 A
IP	00
Insulation Class	B (120°C Th. Protection)
Electrical Connection	Male 6.3 x 0.8mm tab (L+N)

^[1] Other voltages available under request.

Additional Data

Average Noise	53 dB
Weight	950 g

Dimensions in mm



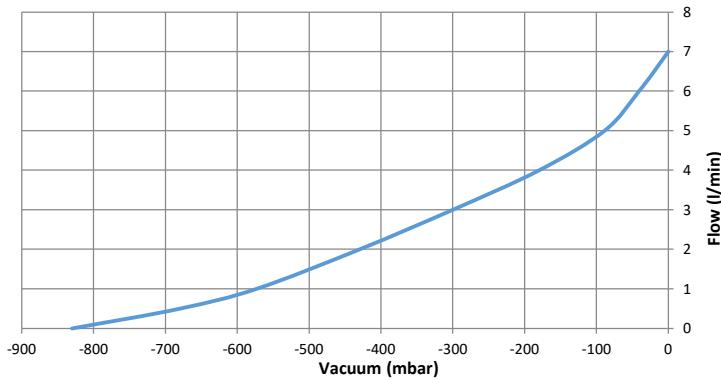
Available Material Options

Head	PPS
Diaphragm	FKM (alternatives on request)
Valve	FKM (alternatives on request)
O-Ring	VMQ (alternatives on request)

Service kits

RUBBER KIT H/S5 M/SR P&N	900.12
--------------------------	--------

Vacuum / Flow characteristic



Pressure / Flow characteristic

