

MR



Performance Data

Maximum Flow	8,5 l/min
Maximum Vacuum	-813 mbar
Maximum Pressure	1400 mbar ^[1]
Maximum vacuum Start up	-813 mbar
Maximum pressure Start up	1400 mbar

^[1] Available under request for maximum pressure up to 2200 mbar

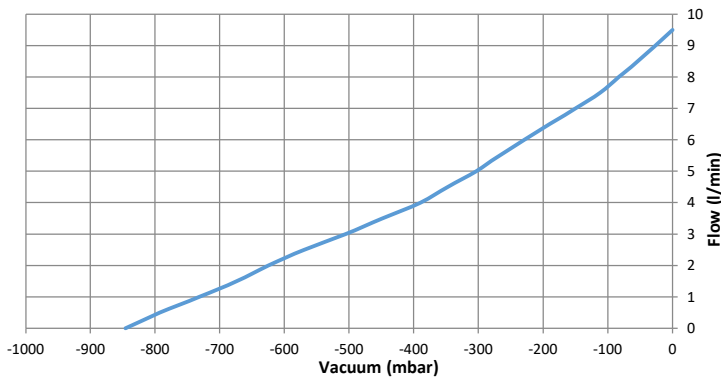
Motor Data

Motor Type	DC Brushed	
Voltage	12 Vdc	24 Vdc
Maximum current	1.50 A	0.70 A
IP	50	
Insulation Class	E	
Electrical Connection	2 wire length 290 mm	

Additional Data

Average Noise	57 dB
Weight	560 g

Vacuum / Flow characteristic



DIAPHRAGM PUMP FOR AIR/GAS APPLICATION

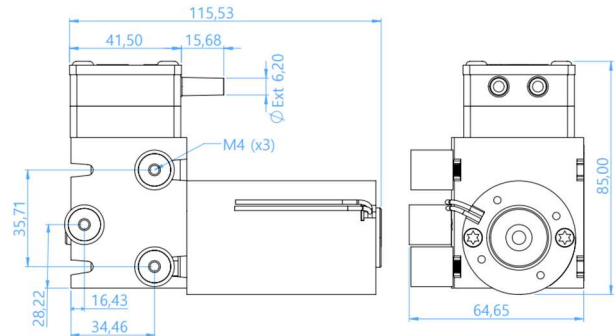
Attributes

- 100% Oil-free
- Excellent gas sealing / Contamination free
- Optimal flow to size ratio
- Low power consumption and noise level
- Quick and easy maintenance procedure
- Pump Re-Start at max levels

Applications

- Aspiration (surgical, welding)
- Small portable equipment
- Environmental sampling
- Laboratory analysis
- Laser cutters
- Pick and place, transport
- Vacuum-therapy

Dimensions in mm



Available Material Options

Head	PPS
Diaphragm	FKM (alternatives on request)
Valve	FKM (alternatives on request)
O-Ring	VMQ (alternatives on request)

Service kits

RUBBER KIT H/S5 M/SR P&N	900.12
--------------------------	--------

Pressure / Flow characteristic

