

HX10P3 05



DIAPHRAGM PUMP FOR AIR/GAS APPLICATION

Attributes

- High performance standards
- 100% Oil-free
- Excellent gas sealing / Contamination free
- Long reliable service life
- Low power consumption and noise level
- Quick and easy maintenance procedure

Applications

- Aspiration (surgical, welding)
- Autoclaves / Sterilization
- Environmental sampling
- Laser cutters
- Pick and place, transport
- Vacuum-therapy

Performance Data (single head)

Maximum Flow	13 l/ min (+1,5 l/min @60Hz)
Maximum Vacuum	-827 mbar
Maximum Pressure	500 mbar
Maximum vacuum Start up	-130 mbar
Maximum pressure Start up	100 mbar

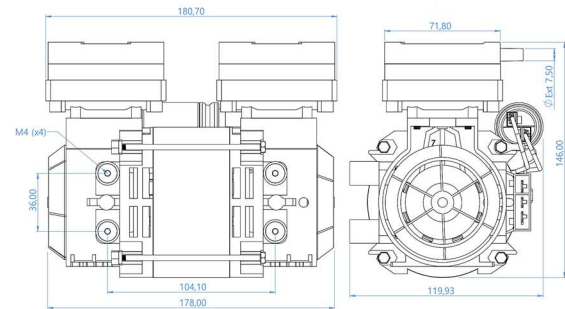
Motor Data

Motor Type	Permanent split capacitor	
Voltage	230 Vac 50Hz	120 Vac 60Hz
Maximum current	0.5 A	1.3 A
IP	00	
Insulation Class	F (130°C Th. Protection)	
Electrical Connection	Male 6.3 x 0.8mm tab (L+N+PE)	

Additional Data

Average Noise	57 dB
Weight	2960 g

Dimensions in mm



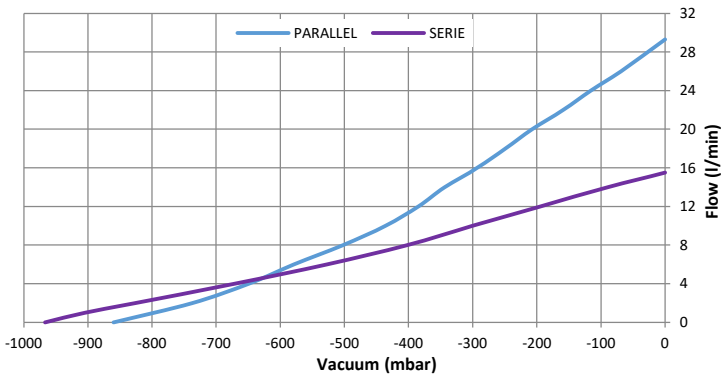
Available Material Options

Head	PPS
Diaphragm	EPDM (alternatives on request)
Valve	FKM (alternatives on request)
O-Ring	VMQ (alternatives on request)

Service kits

RUBBER & FELT KIT HX10 05 P3	900.28
CAPACITOR 4µF FAST KIT	900.91

Vacuum / Flow characteristic [2]



[2] Characteristics shown for frequency (f) at 50Hz. At f=60Hz starting flow increases +1,5 l/min.

Vacuum / Pressure characteristic

