

H5



DIAPHRAGM PUMP FOR AIR/GAS APPLICATION

Attributes

- 100% Oil-free
- Excellent gas sealing / Contamination free
- Low power consumption and noise level
- Quick and easy maintenance procedure
- Exceptional motor lifetime

Applications

- Aspiration (surgical, welding)
- Scenting
- Environmental sampling
- Laboratory analysis
- Laser cutters
- Pick and place, transport
- Vacuum-therapy

Performance Data

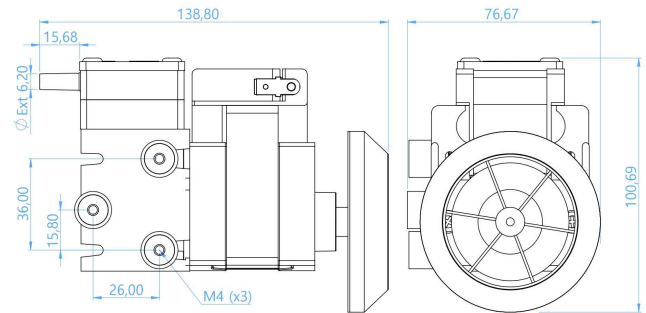
Maximum Flow	6,5 l/min (+0,5 l/min @60Hz)
Maximum Vacuum	-813 mbar
Maximum Pressure	1400 mbar ^[1]
Maximum vacuum Start up	ATM
Maximum pressure Start up	ATM

^[1] Available under request for maximum pressure up to 2200 mbar

Motor Data

Motor Type	AC shaded pole	
Voltage	230 Vac 50Hz	120 Vac 60 Hz
Maximum current	0,4 A	0,9 A
IP	00	
Insulation Class	B (120°C Th. Protection)	
Electrical Connection	Male 6.3 x 0.8mm tab (L+N)	

Dimensions in mm



Additional Data

Average Noise	53 dB
Weight	1016 g

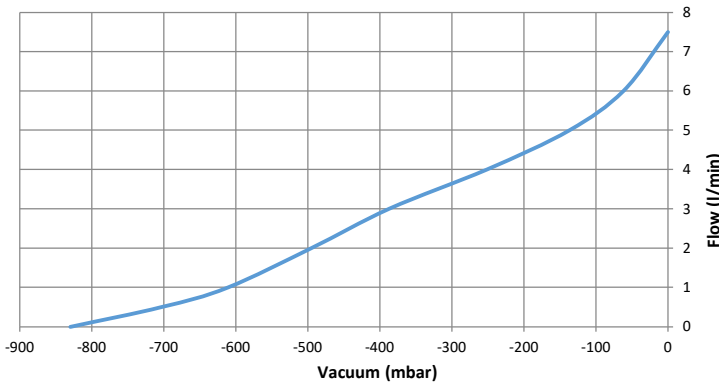
Available Material Options

Head	PPS (alternatives on request)
Diaphragm	FKM (alternatives on request)
Valve	FKM (alternatives on request)
O-Ring	VMQ (alternatives on request)

Service kits

RUBBER KIT H/S5 M/SR P&N	900.12
--------------------------	--------

Vacuum / Flow characteristic ^[2]



^[2] Characteristics shown for frequency (f) at 50Hz. At f=60Hz starting flow increases +0,5 l/min.

Pressure / Flow characteristic ^[2]

